

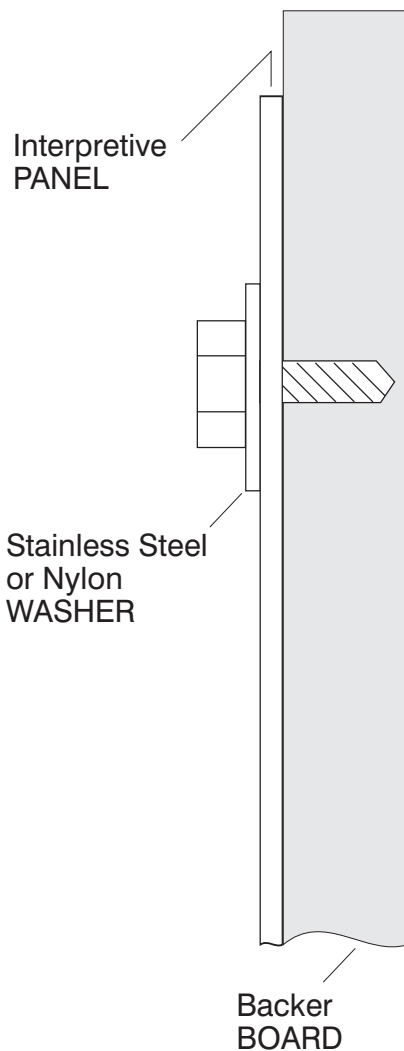
InterpreTuff Panel Installation Guide

OPTION 1

Mounting with Screws & Washers

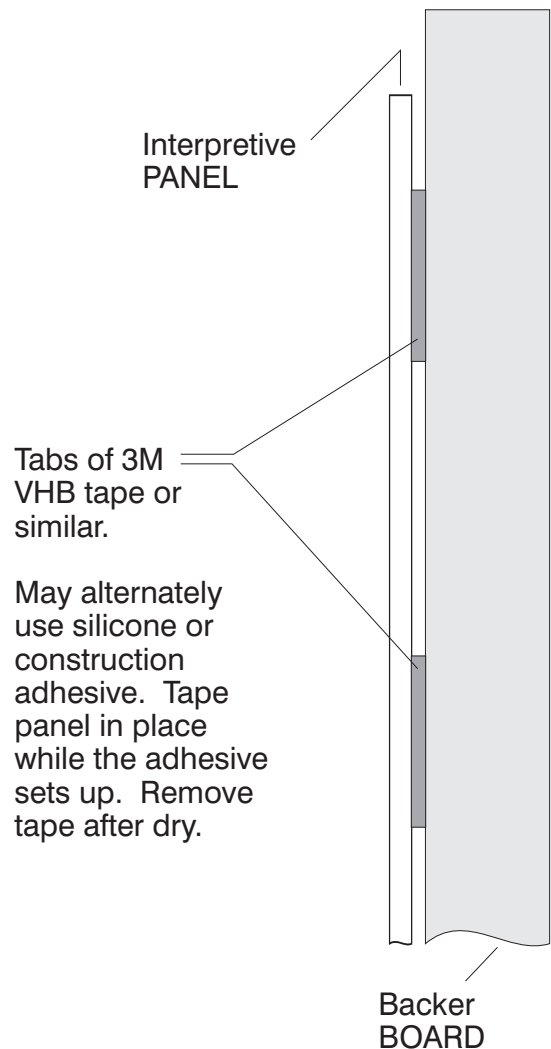
Use a standard sharp drill bit to drill holes through Interpretive panel. Fasten with screw & washer.

Note: It is important to use a stainless steel or nylon washer as this will keep from rusting as well as protect the surface of the graphic while tightening the screw.



OPTION 2

Mounting with 3M VHB tape or construction adhesive



OPTION 3

You may choose to place your panel in your own custom made frame. Genesis Graphics can also provide a powder coated heavy duty aluminum frame. These can be seen at genesisgraphicsinc.com